



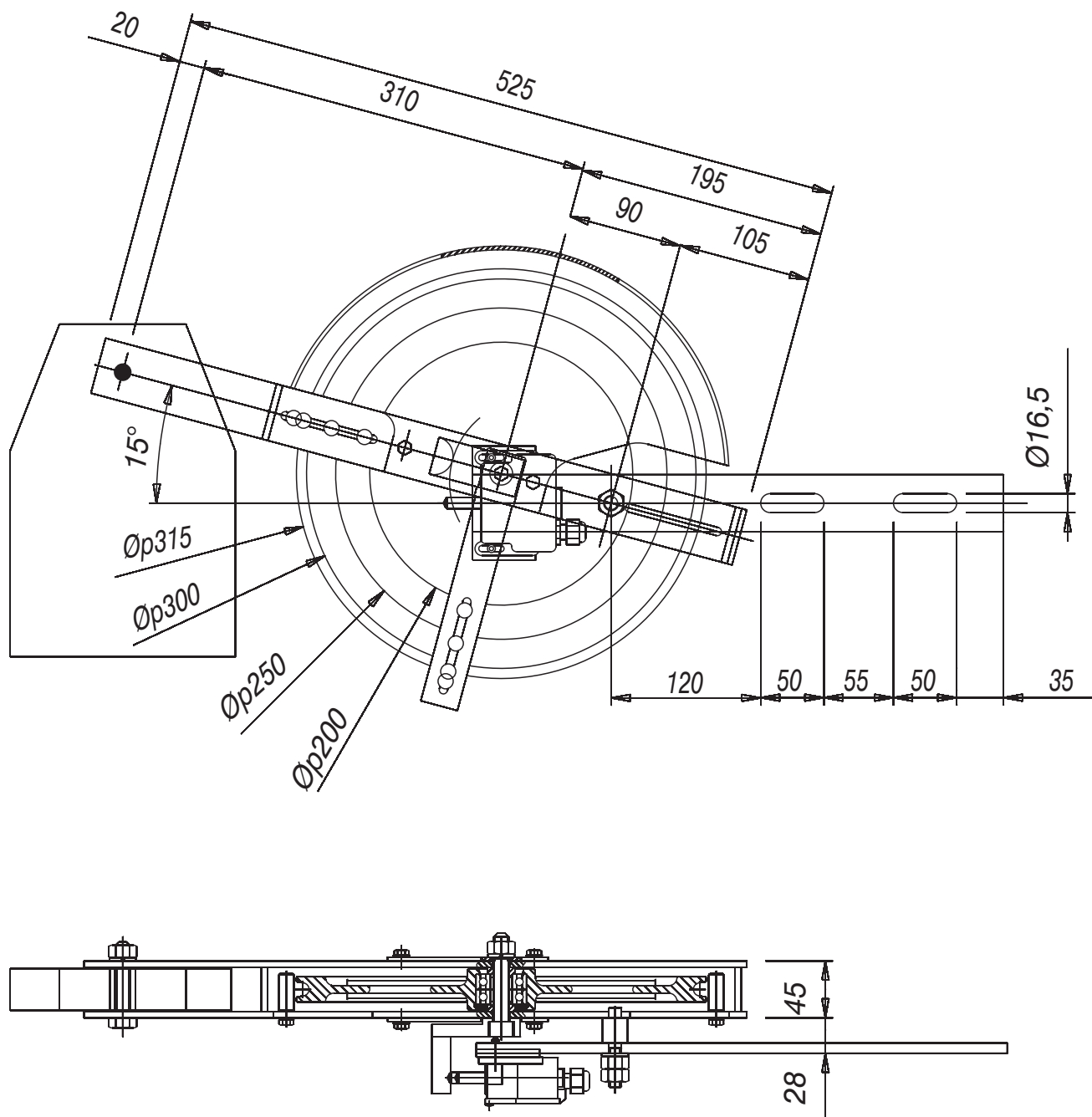
COMPONENTI MECCANICI
PER ASCENSORI

MECHANICAL LIFT
COMPONENTS

TENDITORE ORIZZONTALE
R.4N

RAIL MOUNTED TENSION WEIGHT
R.4N

T-242



| TIPO TENDITORE | TIPO DI LIMITATORE DI VELOCITA' |
|---------------------|---------------------------------|
| TENSION WEIGHT TYPE | OVERSPEED GOVERNORS TYPE |
| R4N Ø200 | R5 - R5/R - R5/SP - LK.200 |
| R4N Ø250 | R3 - LK.250 |
| R4N Ø300 | R1 - R6 - R6/R - R6/SP - LK.300 |
| R4N Ø315 | R10 - R12 - LK.315 |



COMPONENTI MECCANICI
PER ASCENSORI
MECHANICAL LIFT
COMPONENTS

CODICI TIPI

-

TYPE CODE

-

T-242

| <i>TENDITORI ORIZZONTALI CON CONTATTO</i> | | | | |
|---|----------------------------|---------------------------------------|--|---|
| <i>RAIL MOUNTED TENSION WEIGHT WITH CONTACT</i> | | | | |
| <i>CONTRAPPESO Kg.</i> <i>COUNTERWEIGHT Kgs.</i> | <i>TIPO</i> <i>TYPE</i> | <i>PESO Kg.</i> <i>WEIGHT Kgs.</i> | <i>CODICE SENZA CARTER</i> <i>CODE WITHOUT PROTECTION</i> | <i>CODICE CON CARTER</i> <i>CODE WITH PROTECTION</i> |
| 10 | R.4N Ø200/C/10 | 13 | 8024220001 | 8024220101 |
| | R.4N Ø250/C/10 | 13 | 8024225001 | 8024225101 |
| | R.4N Ø300/C/10 | 13 | 8024230001 | 8024230101 |
| | R.4N Ø315/C/10 | 13 | 8024231501 | 8024231601 |
| 13 | R.4N Ø200/C/13 | 16 | 8024220013 | 8024220113 |
| | R.4N Ø250/C/13 | 16 | 8024225013 | 8024225113 |
| | R.4N Ø300/C/13 | 16 | 8024230013 | 8024230113 |
| | R.4N Ø315/C/13 | 16 | 8024231513 | 8024231613 |
| 22 | R.4N Ø200/C/22 | 25 | 8024220022 | 8024220122 |
| | R.4N Ø250/C/22 | 25 | 8024225022 | 8024225122 |
| | R.4N Ø300/C/22 | 25 | 8024223022 | 8024230122 |
| | R.4N Ø315/C/22 | 25 | 8024231522 | 8024231622 |

| <i>TENDITORI ORIZZONTALI SENZA CONTATTO</i> | | | | |
|---|----------------------------|---------------------------------------|--|---|
| <i>RAIL MOUNTED TENSION WEIGHT WITHOUT CONTACT</i> | | | | |
| <i>CONTRAPPESO Kg.</i> <i>COUNTERWEIGHT Kgs.</i> | <i>TIPO</i> <i>TYPE</i> | <i>PESO Kg.</i> <i>WEIGHT Kgs.</i> | <i>CODICE SENZA CARTER</i> <i>CODE WITHOUT PROTECTION</i> | <i>CODICE CON CARTER</i> <i>CODE WITH PROTECTION</i> |
| 10 | R.4N Ø200/10 | 13 | 8024220000 | 8024220100 |
| | R.4N Ø250/10 | 13 | 8024225000 | 8024225100 |
| | R.4N Ø300/10 | 13 | 8024230000 | 8024230100 |
| | R.4N Ø315/10 | 13 | 8024231500 | 8024231600 |
| 13 | R.4N Ø200/13 | 16 | 8024220014 | 8024220114 |
| | R.4N Ø250/13 | 16 | 8024225014 | 8024225114 |
| | R.4N Ø300/13 | 16 | 8024230014 | 8024230114 |
| | R.4N Ø315/13 | 26 | 8024231514 | 8024231614 |
| 22 | R.4N Ø200/22 | 25 | 8024220023 | 8024220123 |
| | R.4N Ø250/22 | 25 | 8024225023 | 8024225123 |
| | R.4N Ø300/22 | 25 | 8024223023 | 8024230123 |
| | R.4N Ø315/22 | 25 | 8024231523 | 8024231623 |